

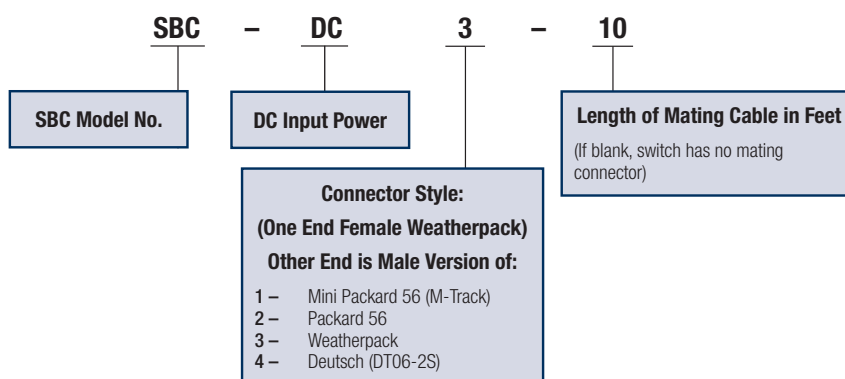
Simple Switch Box Controls

All actuators are controlled using an external-retract-off switching function. The SBC-DC and SBC-AC provide a simple mounted switch compatible with Warner Linear actuators.

SBC-DC



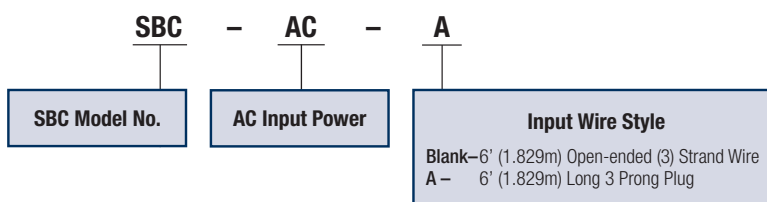
Power: Compatible with 12, 24 and 48 volt DC actuators
Function: Extend, Retract, Off via DPDT momentary toggle switch
Enclosure: ABS plastic enclosure 4.7" L x 3.2" W x 2.2" H (119.38mm L x 81.28mm W x 55.88mm H)
Input Cable: 12ft. (3.66m), 2 wire, 14AWG cable with alligator clip ends
Output Cable: 1ft. (.30m) cable provided. Designate connector appropriate to actuator being used
 Optional extension cables are available in 5-25ft (1.524 - 7.62m) lengths



SBC-AC



Power: Compatible with 115 or 230 volt VAC input
Function: Extend, Retract, Off via DPDT momentary contact switch
Enclosure: 4.72" L x 4.72" W x 3.15" (119.89mm L x 119.89mm W x 80.01mm H) long dust tight enclosure
Protection: Externally mounted 5 Amp fuse on outside of enclosure for easy replacement
Input Cable: 6ft. (1.829m) open ended tinned AC input cable provided
Output Cable: Sealed cable gland included for customer supplied output cable



Optional Extension and Control Power Cables

Power supplies include a 1ft. (.30m) length cable to connect to actuator.

Accessory cables may be ordered in lengths of 5, 10, 20 and 25 feet (1.524, 3.048, 6.096 and 7.62 meters) with the appropriate connector for the actuator selected. (mini-packard, Packard 56, Weatherpack, Deutsch)

Live Power (LP) cables are required to provide constant power to BTc Limit switch or potentiometer feedback circuits mounted on the actuator. LP cables provide two connectors.

Signal Cables (SC) provide the LP cable with two additional connectors for use with limit switch or potentiometer feedback.

Switch Only Units SO

Any of Warner Linear's K2 or K2x actuators can be provided with Hall effect or reed switches to be used by the customer to control actuator start/stopping & positioning. The Hall effect and reed switches are both non-contact, and use a magnet mounted on the screw inside the actuator tube to activate. Actuators can have 2-4 switches dependent on stroke length.

Hall Effect

The Hall effect switch is an NPN output/current sinking and requires a pull-up resistor to operate.

The Hall effect switches can also be configured to provide positioning information. A ten tooth wheel with two switches is used to provide an A and B pulse for position and direction along with a home switch and fully extended switch. This unit would be a "SO4" configuration.

Hall Effect Switch Part Numbers Available, with K2 actuator product:

S02H – 2 end limit switches

Hall Effect Switch Part Numbers Available, with K2E or K2xE actuator product:

S02H – 2 end limit switches

S03W – 2 wheel position switches & home end limit switch

S03H – 2 end & 1 mid limit switches

S04W – 2 wheel position switches & 2 end limit switches

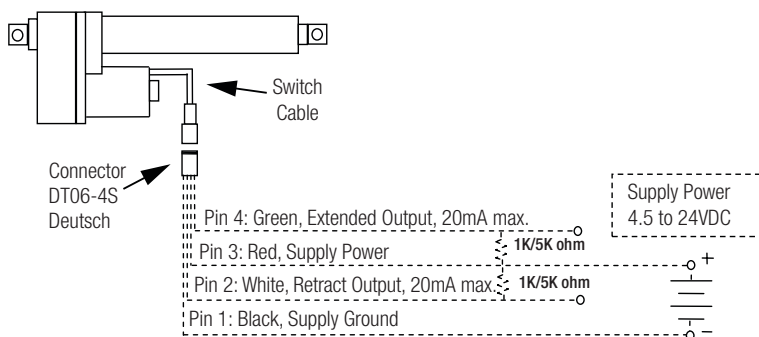
S04H – 2 end & 2 mid limit switches

Note 1: Consult factory for other options if needed

Note 2: Units with 3 switches can be no shorter than 4" and units with 4 switches can be no shorter than 6".

Hall Effect	
Supply Voltage:	4.75 to 24 VDCt
Output:	Current sinking, max. of 25mA
Lead Wires:	24 AWG
Operating Temperature:	-40° C to +85° C
Protection:	Reverse polarity protected
Housing:	Rugged thermoplastic, sealed

S02H Hall Effect



All dashed lines are customer supplied connections

Reed

The reed switch can only be provided on a K2E or K2xE actuator (adjustable unit). Switches can be selected as normally open (O) or normally closed (C).

Reed Switch Part Numbers Available, with K2E or K2xE actuator product only:

S02O – 2 Normally Open, adjustable reed switches

S02C – 2 Normally Closed, adjustable reed switches

S03O – 3 Normally Open, adjustable reed switches

S03C – 3 Normally Closed, adjustable reed switches

S04O – 4 Normally Open, adjustable reed switches

S04C – 4 Normally Closed, adjustable reed switches

Note 1: Consult factory for other options if needed

Note 2: Units with 3 switches can be no shorter than 4" and units with 4 switches can be no shorter than 6".

Reed	
Supply Voltage:	Up to 200 VDC max. O switch Up to 175 VDC max. C switch
Switching Current:	1.2 Amps max. O switch 1.5 Amps max. C switch
Contact Rating:	10 Watts max. O switch 5 Watts max. C switch
Lead Wires:	24 AWG
Operating Temperature:	-40° C to +105° C
Housing:	Hermetically sealed

S02O Normally Open Reed

